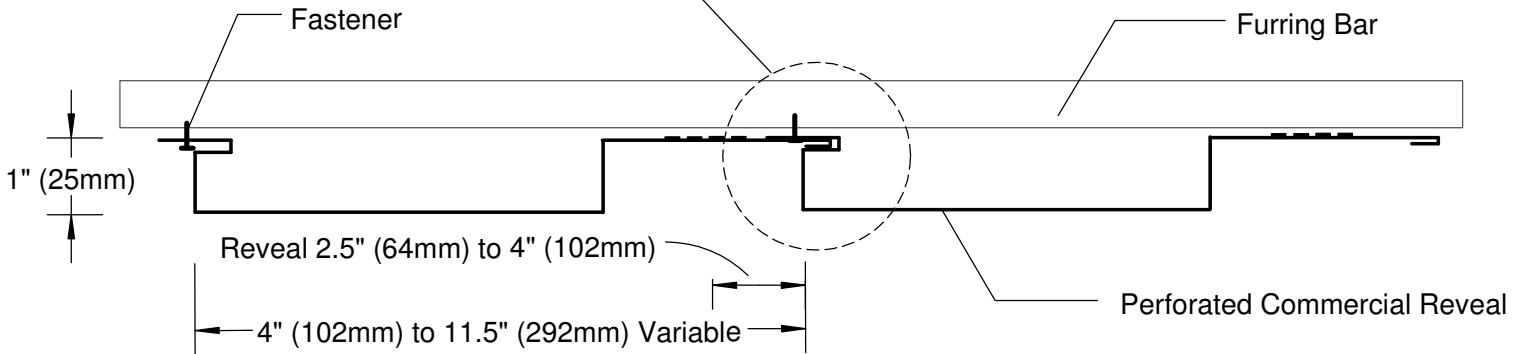
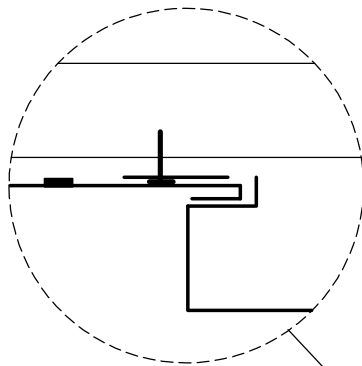
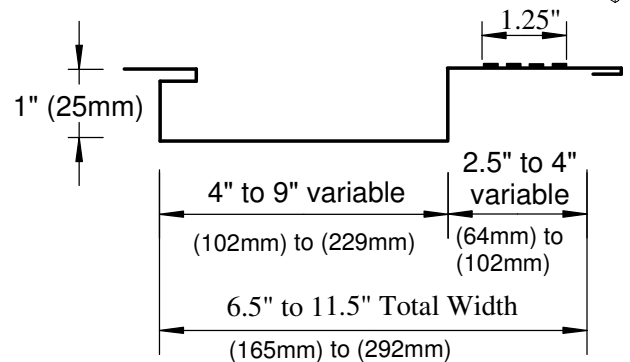
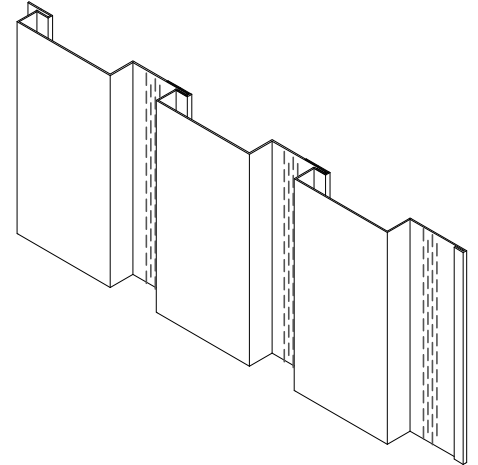


PERFORATED COMMERCIAL REVEAL SOFFIT

· SOFFIT

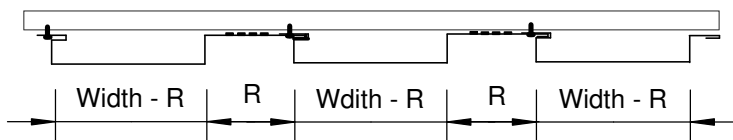
Lam's Perforated Commercial Reveal Soffit is from the "mini plank" family of panels, most suitable for finer detailed jobs. Face width varies from 4" (102mm) to 9" (229mm) and reveal width varies from 2.5" (64mm) to 4" (102mm). The reveal has a 1.25" (32mm) perforation.

- ▶ 4" to 9" Face, and 2.5" to 4" Reveal.
Total width varies from 6.5" (165mm) to 11.5" (292mm)"
- ▶ Roll formed to custom length in 24ga and 22ga steel.
- ▶ Available in Pre-painted Steel, Galvalume, Galvanized, Aluminum (.032"), Copper (16oz), and Rheinzink (.8mm)
- ▶ Recommended cost saving sizes 7.5" (191mm) and 11.5" (292mm) total width.



Options:

**Perforated Commercial Reveal 4" to 11.5"
with 2.5" to 4" Reveal (Variable)**



LMC Manufacturing Ltd

6962 Buller Ave, Burnaby, BC V5J 4S3
Tel: 604-430-3233 Fax: 604-430-2028

Website: www.lammetal.ca