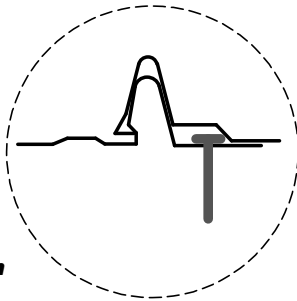
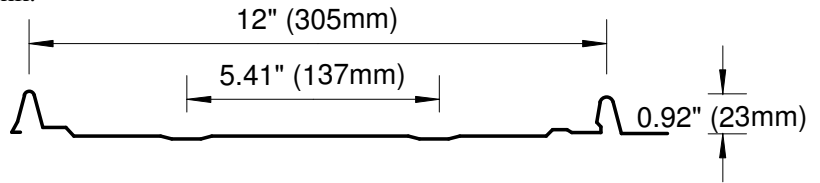
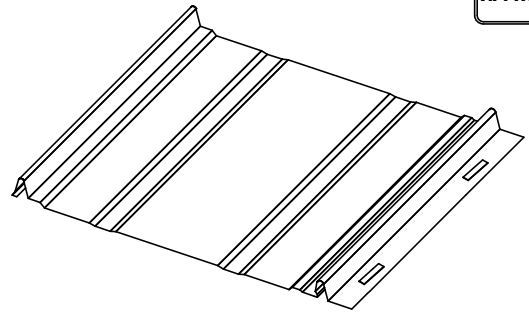




1" Snap Loc is a concealed snap-on roof panel for commercial, institutional and residential applications. This panel must be installed over solid substrates with vapour barrier.

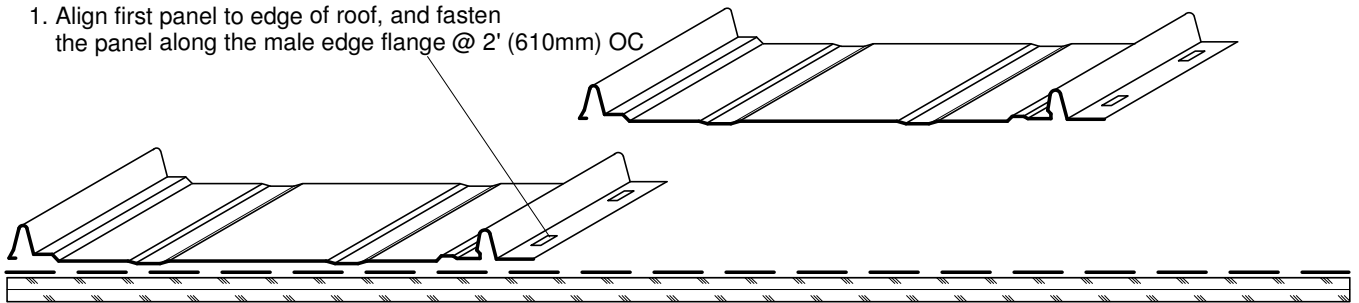
- ▶ Standard width of 12" (305mm) or 16" (406mm).
- ▶ Roll formed to custom length in 26ga, and 24ga.
- ▶ Available in Pre-painted Steel, Galvalume, Galvanized, Aluminum, Copper, and Rheinzink.
- ▶ Snap on design for simple installation and eliminating exposed fasteners.



Panel Installation

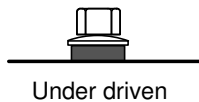
1. Align first panel to edge of roof, and fasten the panel along the male edge flange @ 2' (610mm) OC

2. Align second panel with female edge to the first fastened male edge and clip on. Fasten the male edge and repeat the above for the rest of the roof.



Proper Installation of Gasketed Fasteners

3. Fasten the panels along the eave as shown at 2" (51mm) to 3" (76mm) from the bottom of the panel in a straight line parallel to the eave.



LMC Manufacturing Ltd

6962 Buller Ave, Burnaby, BC V5J 4S3
Tel: 604-430-3233 Fax: 604-430-2028

Website: www.lammetal.ca

* RCABC Standard required minimum 24ga material.